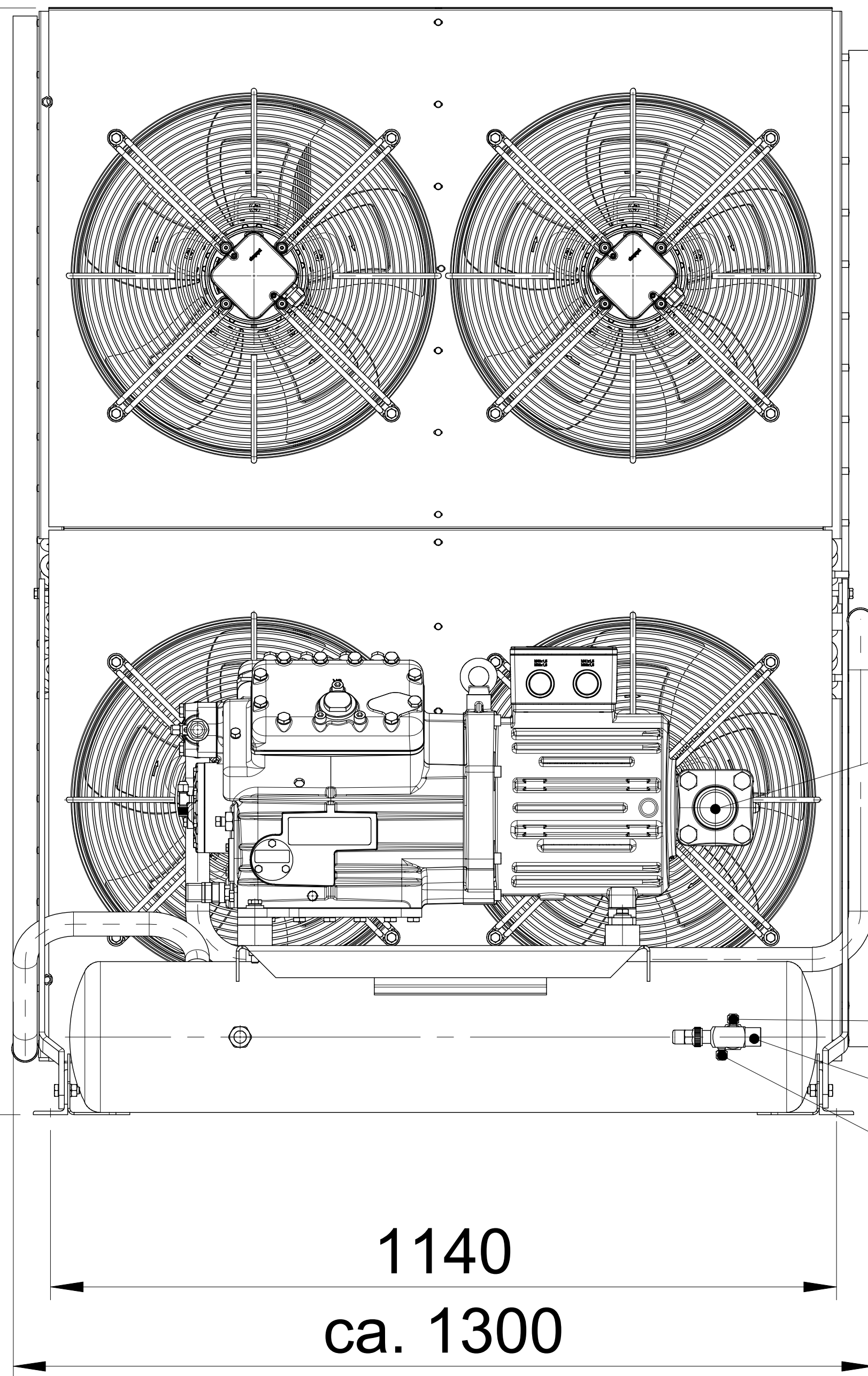


ca.1610



SV

X

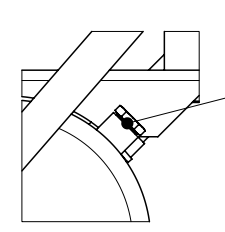
Y2

FLA

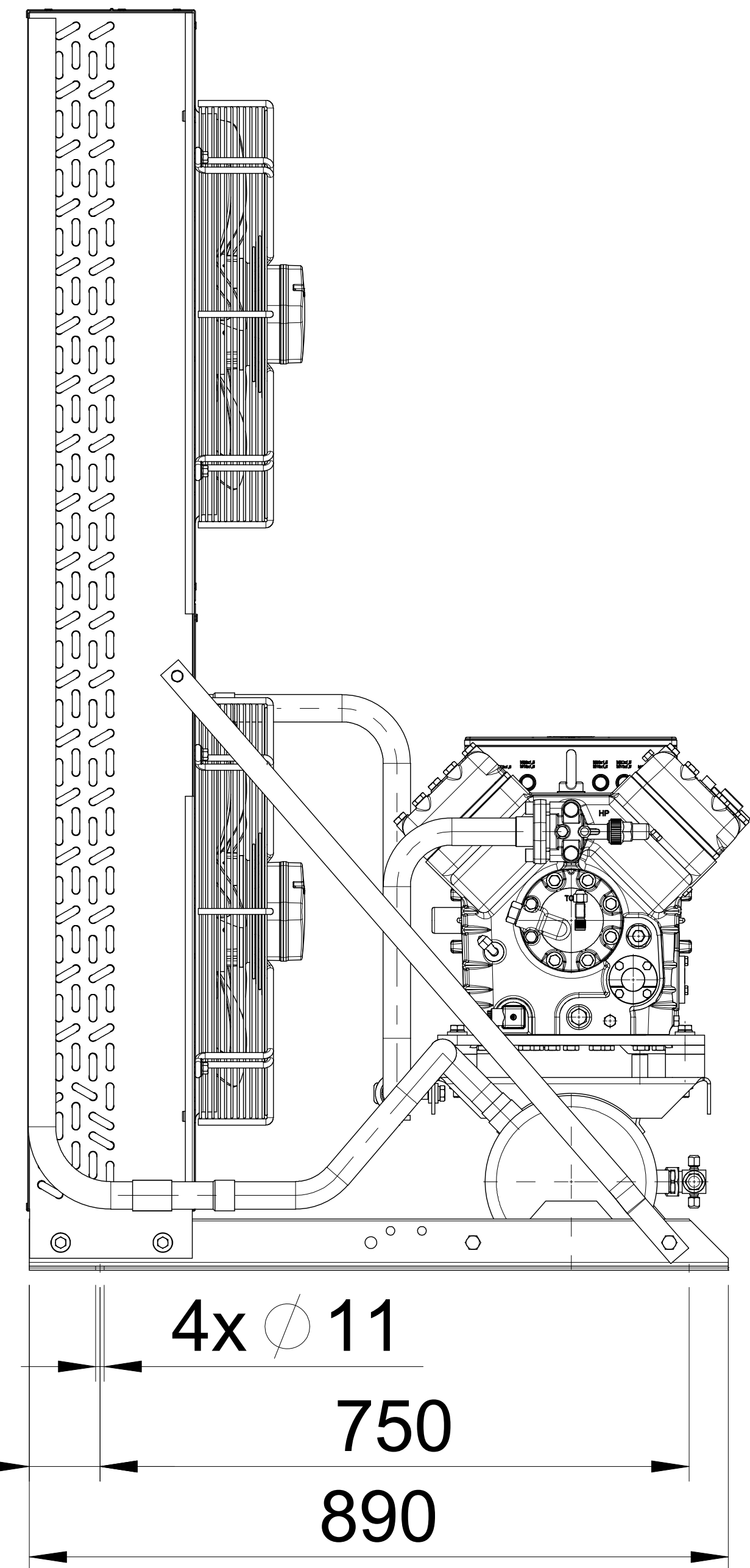
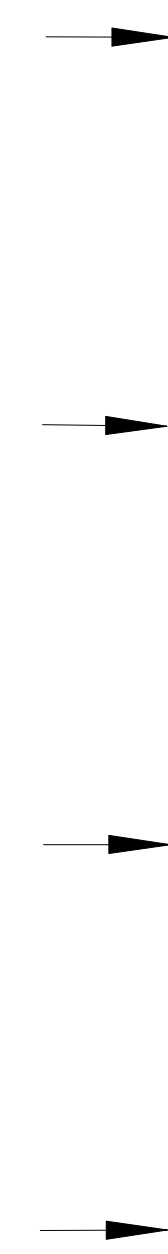
Y1

1140  
ca. 1300

X



SI



4x Ø 11

90

750

890